



Description

Power up fast with the SPDT Metal DC Contactor from Trombetta. With higher in-rush capability and the ability to carry higher electrical loads, the SPDT handles the initial thrust at the start and the ability to deliver the power required for tough jobs. The SPDT is perfect for any applications that requires reversing motion: Truck winch, tarp systems, boatlifts, RV slide-outs and RV leveling systems.

Specifications

Coil Terminals	1 or 2 : 10-32 Stud(s)
Contact Studs	(4) 5/16-24 Studs Standard & Long (See drawing)
Mounting Bracket	Flat or Curved, open or closed slots
Standard Operating Temperature Range	-40°C to 85°C
Contact Terminal Torque	35 lbs
Coil Terminal Torque	15 lbs

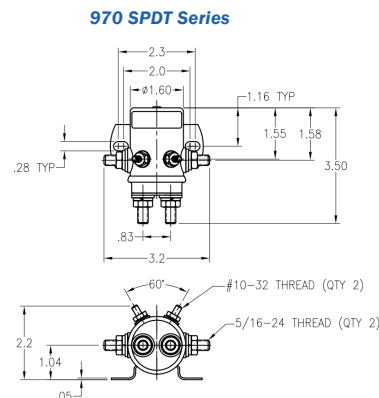
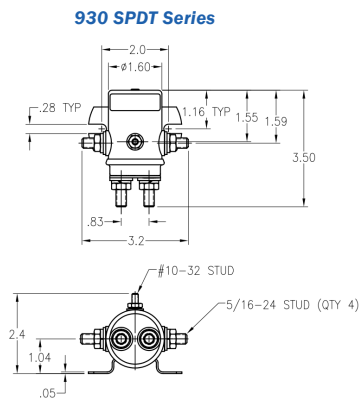
Coils

Model	Max Sustained Duty Cycle ¹	Max On Time	Pull in Voltage ²	Hold Voltage ²	Coil Resist Ohms
12V Intermit.	20%	30 Seconds	6.0	2.0	3.6
12V Intermit.	60%	10 Minutes	7.0	2.3	7.1
12V Cont.	100%	Cont.	8.0	2.5	14.4
24V Cont.	100%	Cont.	14.0	5.0	40.0
36V Cont.	100%	Cont.	27.5	7.5	130.0

Contact

Resistive Load Carry/Interrupt Capability (Amps) ³	Inductive Load Carry/Interrupt Capability (Amps) ³	Peak Inductive Inrush Capability (Amps) ⁴	Electrical Cycle Life	Contact Material
300/200	300/200	700/500	50,000	Copper
250/150	250/150	600/400	50,000	Copper
125/100	125/100	500/300	50,000	Copper
125/100	125/100	500/300	50,000	Copper
125/100	125/100	400/250	25,000	Copper

Product Dimensions



Ordering Information

Enter Part Number Below- Some configurations are not available. Contact your Trombetta Sales Rep before ordering.

Family	Coil Connection Configuration	High Current Stud	Coil Voltage	Bracket Type	Bracket Location	Duty Cycle	Contact Material	Sealing
9								
9- Metal Contactor	3- Grounded 10-32 Stud	0- 5/16-24 SPDT and 168 53 studs (STD)	12- 12 Volt	1- Investment Cast Housing, intergal Bracket, 90° to Studs	1- Standard Location fixed by Housing	0- 100% Sustained Continuous	3- Silver	2- Sealed Design
	7- Non-Grounded 10-32 Studs	4- 5/16-24 (STD)	24- 24 Volt					
	8- Non-Grounded 10-32 Studs(long)	4- 5/16-24 Long Studs						
		9- 5/16-24 SPDT and 24456 Studs (long)						

