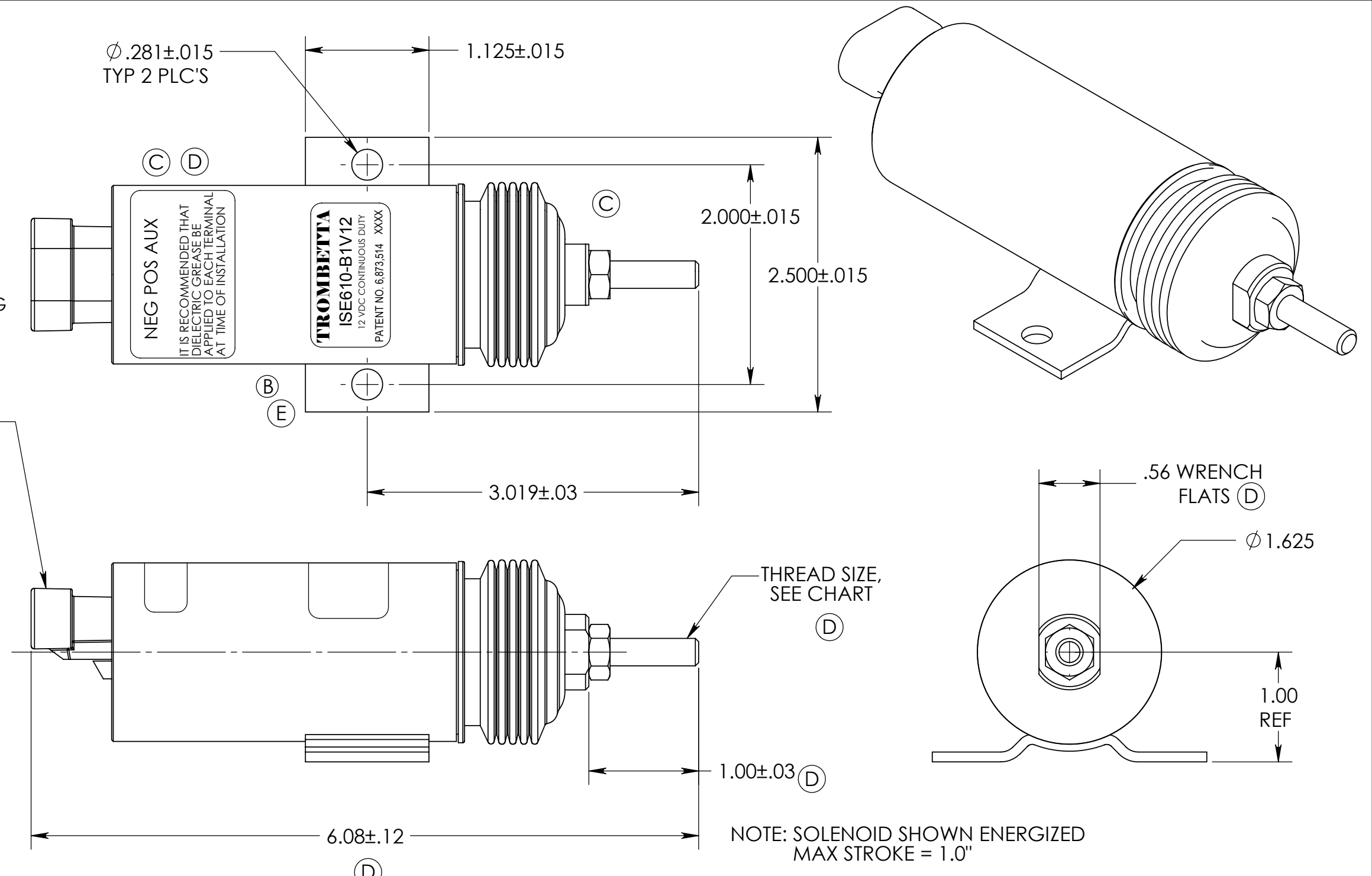
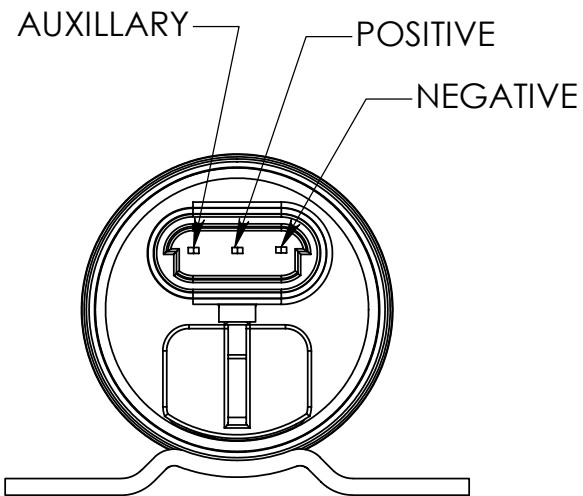


NOTE:
IT IS RECOMMENDED THAT A DIELECTRIC GREASE BE APPLIED TO EACH TERMINAL AT TIME OF INSTALLATION, I.E. NYOGEL 760G

MALE CONNECTOR FOR MATING WITH METRI-PACK SERIES 150, 3 TERMINAL FEMALE CONNECTOR ASSEMBLY



NOTE: SOLENOID SHOWN ENERGIZED
MAX STROKE = 1.0"

SOLENOID	THREAD SIZE
ISE610-A1V12	1/4-28 UNF-2A
ISE610-B1V12	1/4-28 UNF-2A
ISE610-B6V12	M6 X 1-6G
ISE610-C1V12	1/4-28 UNF-2A

REV	DESCRIPTION	BY	ECN	DATE	APP.
E	ADD PATENT NO.	JG	4559	5/6/05	TM
D	UPDATED VIEWS TO SHOW PLGR ROD, ADD WRENCH FLAT NOTE, UPDATED DIMENSIONS AND LABEL TEXT, ADDED CHART	TM	4267	4/20/04	TM
C	ADD LABEL, BOOT & NOTE	JG	4211	8/1/03	TM
B	ADD LABEL TO VIEW	JMG	4016	9/27/02	TM
A	RELEASE	TM	3984	7/25/02	TM

MATERIAL
FINISH
UNLESS OTHERWISE SPECIFIED
.XXX +/- .005 .XX +/- .01 ANG. +/- 1° BREAK ALL EDGES .005-.015 125 FINISH FILLETS .010-.020 RAD.

Trombetta
MOTION TECHNOLOGIES

ISE610 SIDE MOUNT
DIMENSIONAL ASSEMBLY

DRAWN TM	SCALE: 1:1	DWG. NO.
APPR. TM	DATE 7/25/02	D03605