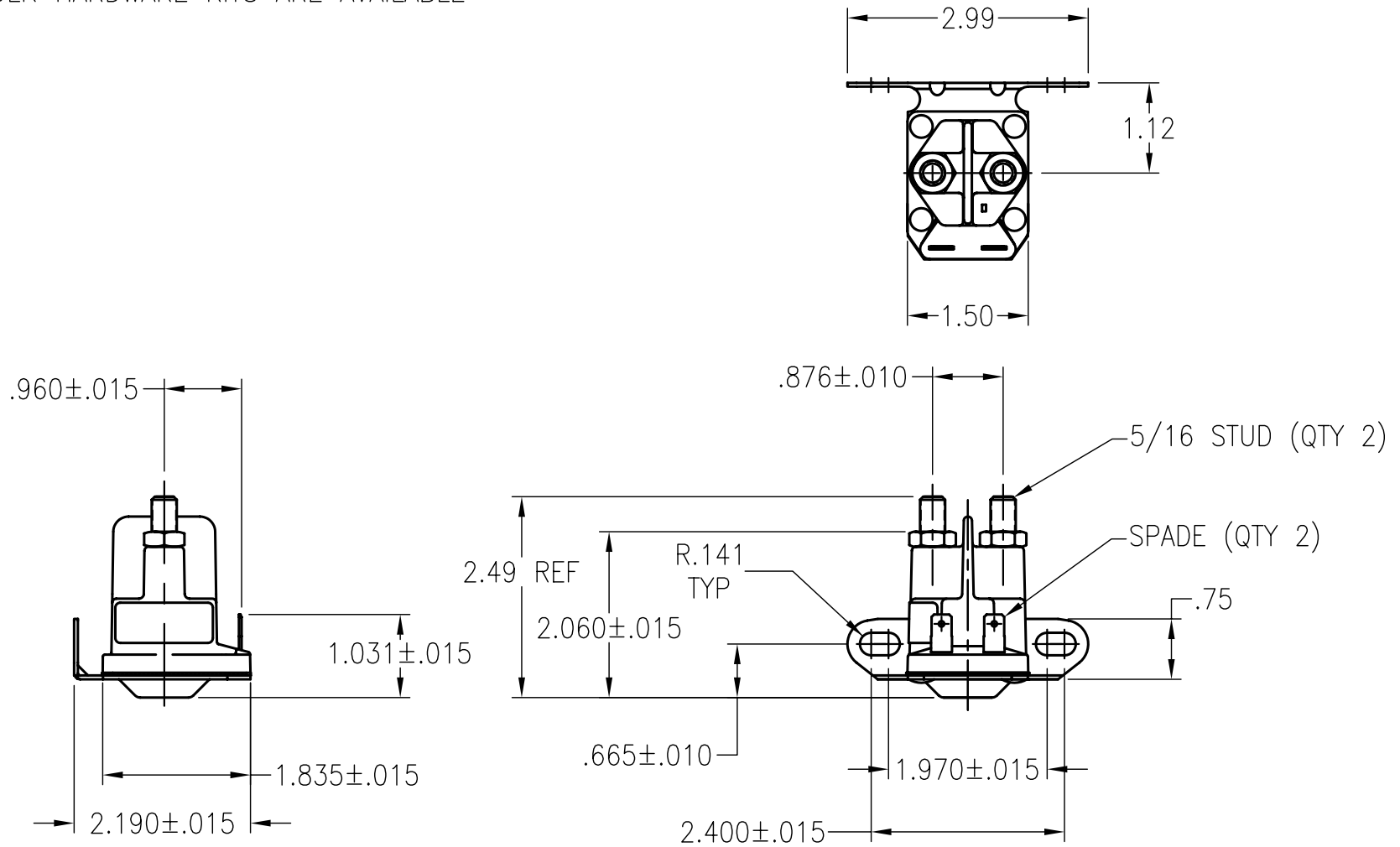



NOTE: BULK HARDWARE KITS ARE AVAILABLE



MATERIAL			 <b>MOTION TECHNOLOGIES</b>					
FINISH								
UNLESS OTHERWISE SPECIFIED			864 CONTACTOR "L" BRKT DIMENSIONAL ASSEMBLY					
A	RELEASE	JMG	4038	10/23/02	DAH	DRAWN JMG APPR. DAH	SCALE 1:2 DATE 10/23/02	DWG. NO. E08313
REV.	DESCRIPTION	BY	ECN	DATE	APP.	.XXX +/- .005    .XX +/- .01    ANG. +/- 1° BREAK ALL EDGES .005-.015    125/ FINISH FILLETS .010-.020 RAD.		